



# CATI

Center for Advanced Technology and Innovation

## Adhesive Bandage Carrier and Bandage Dispensing Device

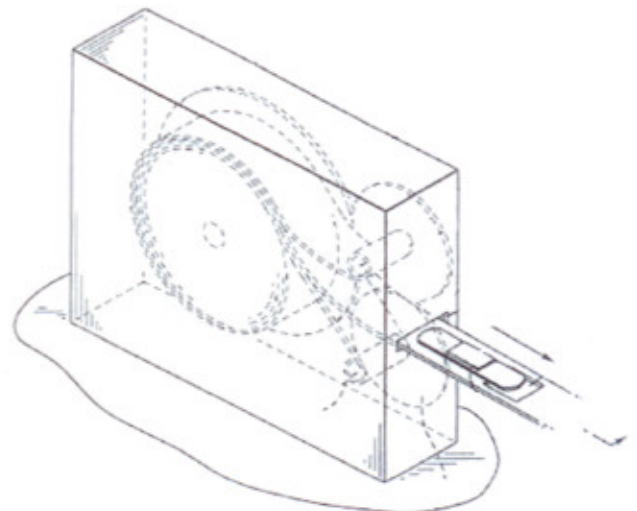
**Description:** An adhesive bandage carrier and bandage dispensing device has been created for a *faster, cleaner* and more *economical* way to dispense adhesive bandages. This device has been created for a basic need to save time in an emergency setting, to decrease the risk of infection and amount of wound exposure time, along with less wasted material. This device is convenient to store and can be used in any setting that would require care pertaining to the application for an adhesive bandage.

**Patent:** Patent Pending No. 11/351,639

**Market Potential:** There is a \$2.6 billion U.S. market for first aid and sports medicine products, focusing on the increasing diversity of the product offerings, and the changing needs and preferences of consumers. Approximately 60 to 70 percent of adhesive bandages are estimated to be used on children. Bandages/Tape/Gauze account for most mass-market accessory sales.

**Benefits:** This new device allows for a *faster* and *cleaner* way to apply a bandage, in addition to being *efficient* and *easy to use*. Bandages are in a device that allow for a bandage to be *ready-to-be-applied* to an open wound eliminating wasted time by opening a wrapper and discarding the wasted materials. This device can be mechanically-operated or used as an electrically-operated unit, and serves as an acceptable method in medical settings. Also, this product will allow individuals lacking fine motor skills to apply a bandage at ease.

**Development Stage:** Development steps include creating a prototype. The device has written instructions for prototype along with diagrams.



### Contact:

Kate Walker – CATI Assistant Director  
[kwalker@thecati.com](mailto:kwalker@thecati.com) – 262-898-7410